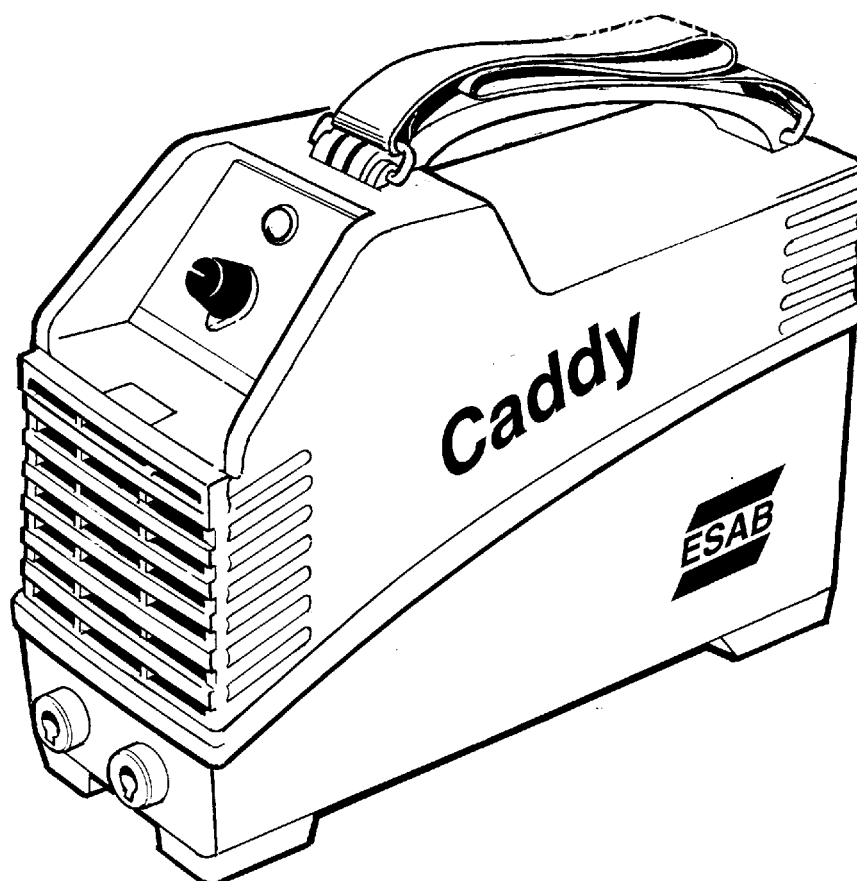


# ***Caddy 110*** ***Caddy 150***

***LHO 110, LHO 150***



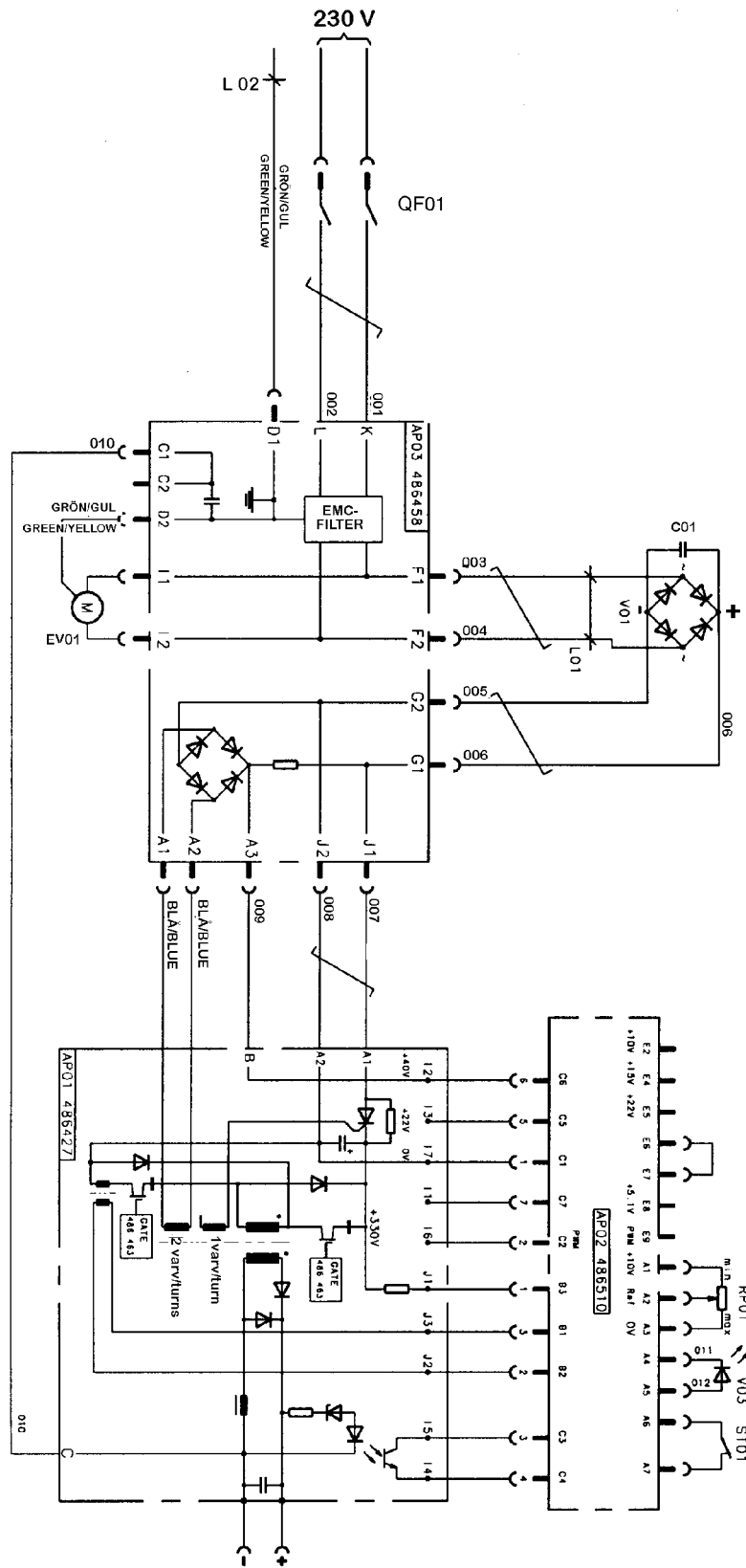
**Bruksanvisning**  
**Brugsanvisning**  
**Bruksanvisning**  
**Käyttöohjeet**  
**Instruction manual**  
**Betriebsanweisung**  
**Manuel d'instructions**

**Gebruiksaanwijzing**  
**Instrucciones de uso**  
**Istruzioni per l'uso**  
**Manual de instruções**  
**Οδηγίες χρήσεως**  
**Instrukcja obs³ugi**

SVENSKA .....	3
DANSK .....	10
NORSK .....	17
SUOMI .....	24
ENGLISH .....	31
DEUTSCH .....	38
FRANÇAIS .....	45
NEDERLANDS .....	52
ESPAÑOL .....	59
ITALIANO .....	66
PORTUGUÊS .....	73
ΕΛΛΗΝΙΚΑ .....	80
POLSKI .....	87
Schema - Skema - Skjema - Johdotuskaavio - Diagram - Schaltplan - Schéma - Esquema - Διάταξεις σύνδεσης - Schemat - .....	94
Reservdelsförteckning - Reservedelsfortegnelse - Reservedeloversikt - Varaosaluettelo - Spare parts list - Ersatzteilverzeichnis - Liste de pièces détachées - Reserveonderdelenlijst - Lista de repuestos - Esercizio - Lista de peças de reposição - Πίνακας ανταλλακτικών - Części zamiennych	97

Rätt till ändring av specifikationer utan avisering förbehålles.  
Ret til ændring af specifikationer uden varsel forbeholdes.  
Rett til å endre spesifikasjoner uten varsel forbeholdes.  
Oikeudet muutoksiin pidätetään.  
Rights reserved to alter specifications without notice.  
Änderungen vorbehalten.  
Sous réserve de modifications sans avis préalable.  
Recht op wijzigingen zonder voorafgaande mededeling voorbehouden.  
Reservado el derecho de cambiar las especificaciones sin previo aviso.  
Specifiche senza preavviso.  
Reservamo-nos o direito de alterar as especificações sem aviso prévio.  
Διατηρείται το δικαίωμα τροποποίησης προδιαγραφών Χωρίς προειδοποίηση.

LHO 110



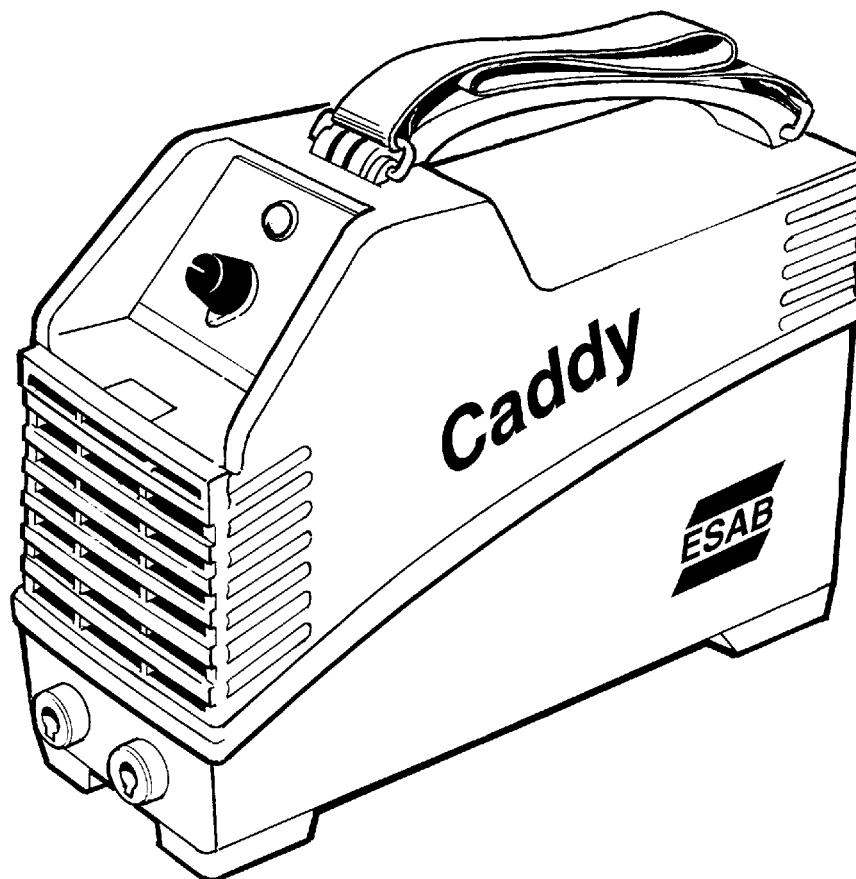


Reservdelsförteckning Reservdelsfortegnelse Reservdelsliste Varaosa-  
luettelo Spare parts list Ersatzteilliste Liste de pièces détachées  
Reserveonderdelenlijst Lista de repuestos Elenco ricambi Lista de peças  
sobressalentes Πίνακας ανταλλακτικών μερών Czêłci zamiennych



LHO 110/150

Edition 980925



#### Ordering numbers for LHO 110/150

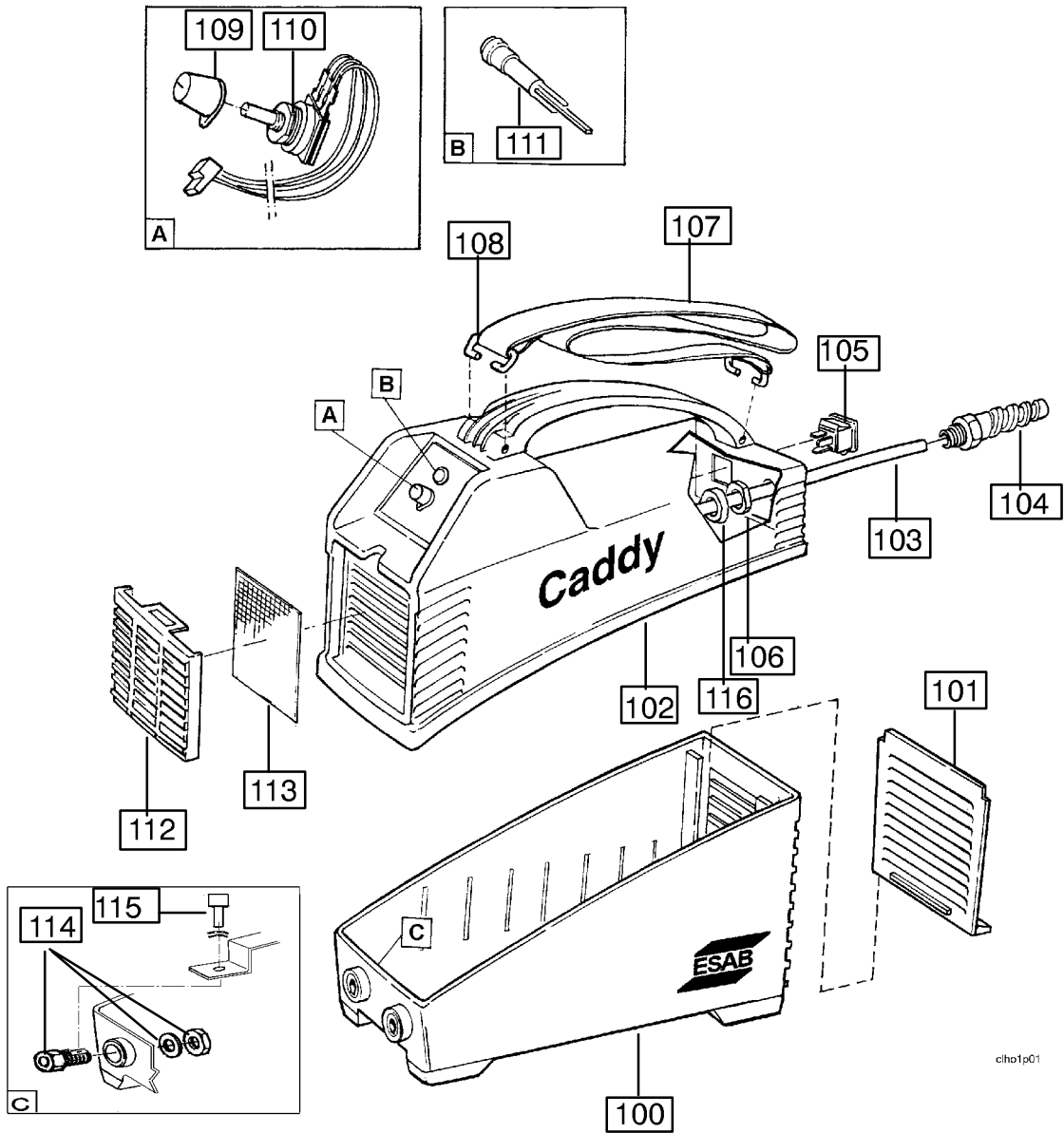
0456 540 880	LHO 110	Caddy 110
0456 545 880	LHO 150	Caddy 150

**C = component designation in the circuit diagram**

Item	LHO 110	LHO 150	Ordering no.	Denomination	Notes	C
100	1	1	0456 538 001	Cover	Lower part	
101	1	1	0456 539 001	Inner grating		
102	1	1	0456 537 001	Cover	Upper part	
103	1	1	0456 192 881	Mains cable		
104	1	1	0193 307 104	Cable bush		
105	1	1	0193 317 001	Switch		QF1
106	1	1	0212 602 208	Nut		
107	1	1	0468 208 001	Strap		
108	2	2	0456 572 001	Clamp		
109	1	1	0321 475 885	Knob		
110	1	1	0193 995 501	Potentiometer		RP01
111	1	1	0455 201 002	Light-emitting diode		V03
112	1	1	0456 541 001	Front grating		
113	1	1	0456 574 001	Filter		
114	2	2	0366 306 882	Connector	OKC 25	
115	2	2	0192 238 327	Screw		
-	1		0194 034 001	Ferrite ring core	Mounted only on earth cable (yellow/green)	L02
116		1	0194 034 002	Ferrite ring core		L02
-	1	1	0457 051 880	Return welding cable	Complete	
-	1	1	0457 049 001	Electrode holder		

**SERVICE TOOLS**

Qty	Ordering no.	Denomination	Notes
1	0192 058 106	Contact oil	To be used when mounting the heat sinks on the primary side
1	0192 058 101	Thermal compound	To be used when mounting the heat sinks on the secondary side
1	0193 260 062	Connector	3-pole, to be used on contact B on AP02
1	0193 260 066	Connector	7-pole to be used on contact C on AP02
1	0193 260 068	Connector	9-pole to be used on contact E on AP02
1	0457 488 001	Torx screw driver	For dismantling the machine



clho1p01

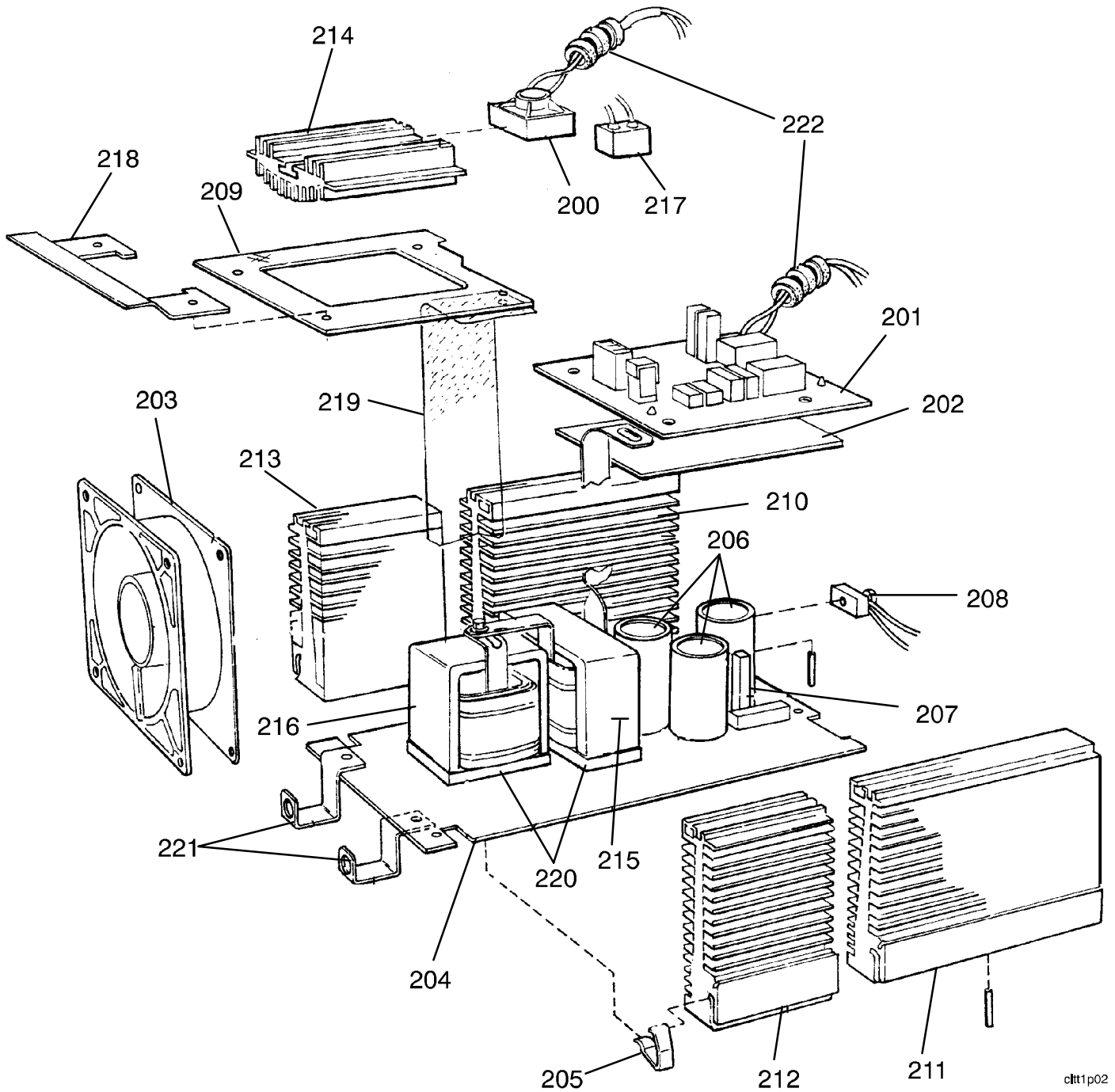


**C = component designation in the circuit diagram**

Item no.	Qty LHO 110	Qty LHO 150	Ordering no.	Denomination	Notes	C
200			0193 316 208	Rectifier bridge		V01, V02
201	1	1	0486 457 880	Printed circuit board	EMC	AP03
202	1		0486 509 890	Printed circuit board	From machine no. 744 . . . . .	AP02
		1	0486 509 892	Printed circuit board	From machine no. 745 . . . . .	AP02
203	1	1	0365 539 001	Fan		EV01
204	1		0457 875 880	Printed circuit board	16 springs, item 205 are included	AP01
		1	0457 875 881	Printed circuit board	23 springs, item 205 are included	AP01
205	16	23	0457 002 001	Spring	Included in item 204	
206	3	3	0193 965 019	Capacitor	400V 470 $\mu$ F included in AP01	
207	1	1	0194 017 117	Resistor	9W 22 $\Omega$ included in AP01	
208	1	1	0468 940 002	Thermal switch	75°C	ST01
209	1	1	0457 044 001	Cover		
210	1	1	0457 232 001	Heat sink		
211	1	1	0457 232 002	Heat sink		
212	1	1	0456 576 080	Heat sink		
213	1	1	0456 576 075	Heat sink		
214	1	1	0456 699 060	Heat sink		
215	1		0456 568 880	Transformer	From machine no. 744 . . . . .	TR2*
		1	0456 568 880	Transformer	From machine no. 745 . . . . .	TR2*
216	1		0456 547 880	Inductor	Welding current inductor*	
		1	0456 569 880	Inductor	Welding current inductor*	
217	1	1	0320 805 884	Capacitor		C01
218	1	1	0457 081 001	Angle		
219	2	2	0457 265 001	Insulation		
220	2	2	0457 254 001	Spacer	For item 215 and 216	
221	2	2	0456 575 002	Bus bar		
222		6	0193 494 003	Ferrite ring cores		L01, L03-L07
222	1		0193 494 003	Ferrite ring core		L01

\*Items 215 and 216 are mounted on item 204, but they are not included in item 204





clt1p02



# Group H.Q. International directory of subsidiary and associated companies.

## Agency network, by countries.

### Group Headquarters

#### SWEDEN

Esab AB  
Gothenburg  
Tel: +46 31 50 90 00  
Fax: +46 31 50 92 61

ESAB International AB  
Gothenburg  
Tel: +46 31 50 90 00  
Fax: +46 31 50 93 60

### Nordic Countries

#### DENMARK

ESAB A/S  
Köpenhavn-Valby  
Tel: +45 36 30 01 11  
Fax: +45 36 30 40 03

#### FINLAND

Esab Oy  
Helsinki  
Tel: +358 9 547 761  
Fax: +358 9 547 77 71

#### NORWAY

AS Esab  
Larvik  
Tel: +47 33 12 10 00  
Fax: +47 33 11 52 03

#### SWEDEN

Esab Sverige AB  
Gothenburg  
Tel: +46 31 50 95 00  
Fax: +46 31 50 92 22

### Europe excl. Nordic Countries

#### AUSTRIA

Esab Ges.m.b.H  
Vienna-Liesing  
Tel: +43 1 888 25 11  
Fax: +43 1 888 25 11 85

#### BELGIUM

S.A. Esab N.V.  
Brussels  
Tel: +32 2 745 11 00  
Fax: +32 2 726 80 05

#### THE CZECH REPUBLIC

ESAB s.r.o.  
Tel: +420 2 819 40 885  
Fax: +420 2 819 40 120

#### FRANCE

Esab France S.A.  
Cergy Pontoise Cedex  
Tel: +33 1 30 75 55 00  
Fax: +33 1 30 75 55 24

#### GERMANY

ESAB GmbH  
Solingen  
Tel: +49 212 298 0  
Fax: +49 212 298 204

ESAB-Hancock GmbH  
Karben  
Tel: +49 6039 400  
Fax: +49 6039 40 301

KEBE-Ersatzteile GmbH  
Rosbach  
Tel: +49 6007 500  
Fax: +49 6007 1216

### GREAT BRITAIN

Esab Group (UK) Ltd  
Waltham Cross  
Tel: +44 1992 76 85 15  
Fax: +44 1992 71 58 03

ESAB Automation Ltd  
Andover  
Tel: +44 1264 33 22 33  
Fax: +44 1264 33 20 74

### HUNGARY

ESAB Kft  
Budapest  
Tel: +36 1 20 44 182  
Fax: +36 1 20 44 186

### ITALY

Esab Saldatura S.p.A.  
Mesero (Mi)  
Tel: +39 2 97 96 81  
Fax: +39 2 97 28 91 81

### THE NETHERLANDS

Esab Nederland B.V.  
Utrecht  
Tel: +31 30 248 59 22  
Fax: +31 30 248 52 60

### POLAND

ESAB  
Oddzial w Polsce  
Tel: +48 22 813 99 63  
Fax: +48 22 813 98 81

### PORTUGAL

ESAB Lda  
Lisbon Codex  
Tel: +351 1 837 1527  
Fax: +351 1 859 1277

### SLOVAKIA

ESAB Slovakia s.r.o.  
Bratislava  
Tel: +421 7 429 23 71  
Fax: +421 7 288 741

### SPAIN

Esab Ibérica S.A.  
Alcobendas (Madrid)  
Tel: +34 91 661 55 80  
Fax: +34 91 661 23 13

### SWITZERLAND

ESAB AG  
Dietikon  
Tel: +41 1 741 25 25  
Fax: +41 1 740 30 55

### North and South America

#### BRAZIL

ESAB S.A.  
Contagem-MG  
Tel: +55 31 333 43 33  
Fax: +55 31 333 50 00

#### CANADA

Esab Group Canada  
Mississauga, Ontario  
Tel: +1 905 670 02 20  
Fax: +1 905 670 48 79

#### USA

Esab Welding & Cutting Products  
Florence, SC  
Tel: +1 803 669 44 11  
Fax: +1 803 664 42 58

### Far East

#### AUSTRALIA

ESAB Australia Pty Ltd  
Ermington  
Tel: +61 2 9647 1232  
Fax: +61 2 9748 1685

#### INDONESIA

P.T. Esabindo Pratama  
Jakarta  
Tel: +62 21 460 01 88  
Fax: +62 21 461 29 29

#### MALAYSIA

ESAB (Malaysia) Snd Bhd  
Petaling Jaya  
Tel: +60 3 703 36 51  
Fax: +60 3 703 35 52

#### SINGAPORE

ESAB Singapore PTE Ltd  
Singapore  
Tel: +65 861 43 22  
Fax: +65 861 31 95

Esab Asia/Pacific Pte Ltd.  
Singapore  
Tel: +65 861 74 42  
Fax: +65 863 08 39

#### THAILAND

ESAB (Thailand) Ltd  
Bangkok  
Tel: +66 2 393 60 62  
Fax: +66 2 748 71 11

#### U.A.E.

ESAB Middle East  
Dubai  
Tel: +971 4 38 88 29  
Fax: +971 4 38 87 29

### Associated companies

#### INDIA

ESAB India Ltd  
Calcutta  
Tel: +91 33 478 45 17  
Fax: +91 33 468 18 80

#### SWEDEN

Gas Control Equipment AB  
Malmö  
Tel: +46 40 38 83 00  
Fax: +46 40 38 83 30

### Representative offices

#### ALGERIA

ESAB Bureau de Liaison  
Alger  
Tel: +213 2 67 24 93  
Fax: +213 2 68 32 90

#### BULGARIA

INTESA  
Sofia  
Tel: +359 2 980 17 15  
Fax: +359 2 980 08 42

### CHINA

ESAB Representative Office  
Beijing  
Tel: +86 10 6410 6493  
Fax: +86 10 6410 6530

### EGYPT

ESAB Egypt  
Dokki-Cairo  
Tel: +20 2 390 96 69  
Fax: +20 2 393 32 13

### IRAN

ESAB International AB  
Teheran  
Tel: +98 21 884 39 14  
Fax: +98 21 884 13 36

### ROMANIA

ESAB Representative Office  
Bucharest  
Tel: +40 1 211 75 02

### RUSSIA-CIS

ESAB Representative Office  
Moscow  
Tel: +7 095 9379 820  
Fax: +7 095 2468 906

### Agents

#### EUROPE

Cyprus, Greece, Malta

#### AFRICA

Angola, Cameroon, Ethiopia,  
Gabon, Ghana, Kenya, Israel,  
Liberia, Morocco, Mocambique,  
Nigeria, Senegal, South Africa,  
Tanzania, Togo, Tunisia,  
Zambia, Zimbabwe

#### ASIA

Bahrain, Hongkong, Japan,  
Jordanian, Korea, Kuwait,  
Lebanon, New Guinea, Oman,  
Pakistan, The Philippines,  
Quatar, Saudi Arabia,  
Sri Lanka, Syria, Taiwan,  
Turkey, Vietnam, Yemen

#### LATIN AMERICA

Argentina, Bolivia, Chile,  
Colombia, Costa Rica, Curacao,  
Equador, El Salvador,  
Guatemala, Honduras, Jamaica,  
Paraguay, Peru, Trinidad,  
Uruguay, Venezuela



Esab Welding Equipment AB  
S-695 81 LAXÅ  
SWEDEN  
Phone +46 584 81 000  
Fax +46 584 123 08  
Tgm esablax  
Telex 73108 esab s

